

Solution Basins

I. APPLICATIONS

1. Transfer of chemicals and other liquids

II. FEATURES

1. Materials: PVC, polystyrene, or polypropylene
2. Polypropylene basin is chemically resistant to alcohols and mild organic solvents
3. PVC basin has transparent walls to permit easy viewing of contents
4. Polypropylene basin is autoclavable

III. BASIN DESIGN

1. Available in PVC super clear, polystyrene white, and polypropylene 12-channel
2. PVC basins have a volume of 55ml; polystyrene basins have volumes of 55ml or 100ml.
3. Polypropylene 12-channel basin: individual channels hold 5ml, flip-side is 50ml volume
4. All basins can be used with single or multi-channel pipettors
5. Polypropylene basins come in assorted colors: clear, blue, green, red, and yellow

IV. PACKAGING

1. PVC: Bulk, 100 basins/pack and 8 packs/case
2. Polystyrene: Individually wrapped, 100 basins/case or 50 basins/case
3. Polypropylene: Bulk, 25 basins/bag, 4 bags/case (assorted colors)

V. DESCRIPTION

Item	Material/Color	Packaging	Sterile
25-0052	PVC/Super clear	Bulk, 100 basins/pack, 8 packs/case	No
25-0051	Polystyrene/white	Individually wrapped, 100 basins/case	Yes
25-1202	Polypropylene/Assorted	Bulk, 25 basins/pack, 4 packs/case	No
25-1025	Polystyrene/white	Individually wrapped, 100 basins/case	Yes
25-1100	Polystyrene/white	Individually wrapped, 50 basins/case	Yes

VI. STERILITY

1. Products are Gamma Radiation Sterilized according to ISO13485 standard.
2. For each lot, sterilization records are recorded and signed off by qualified personnel for product release.

VII. CERTIFICATION

Biologix products are manufactured completely according to the TUV ISO 9001:2008 standard.

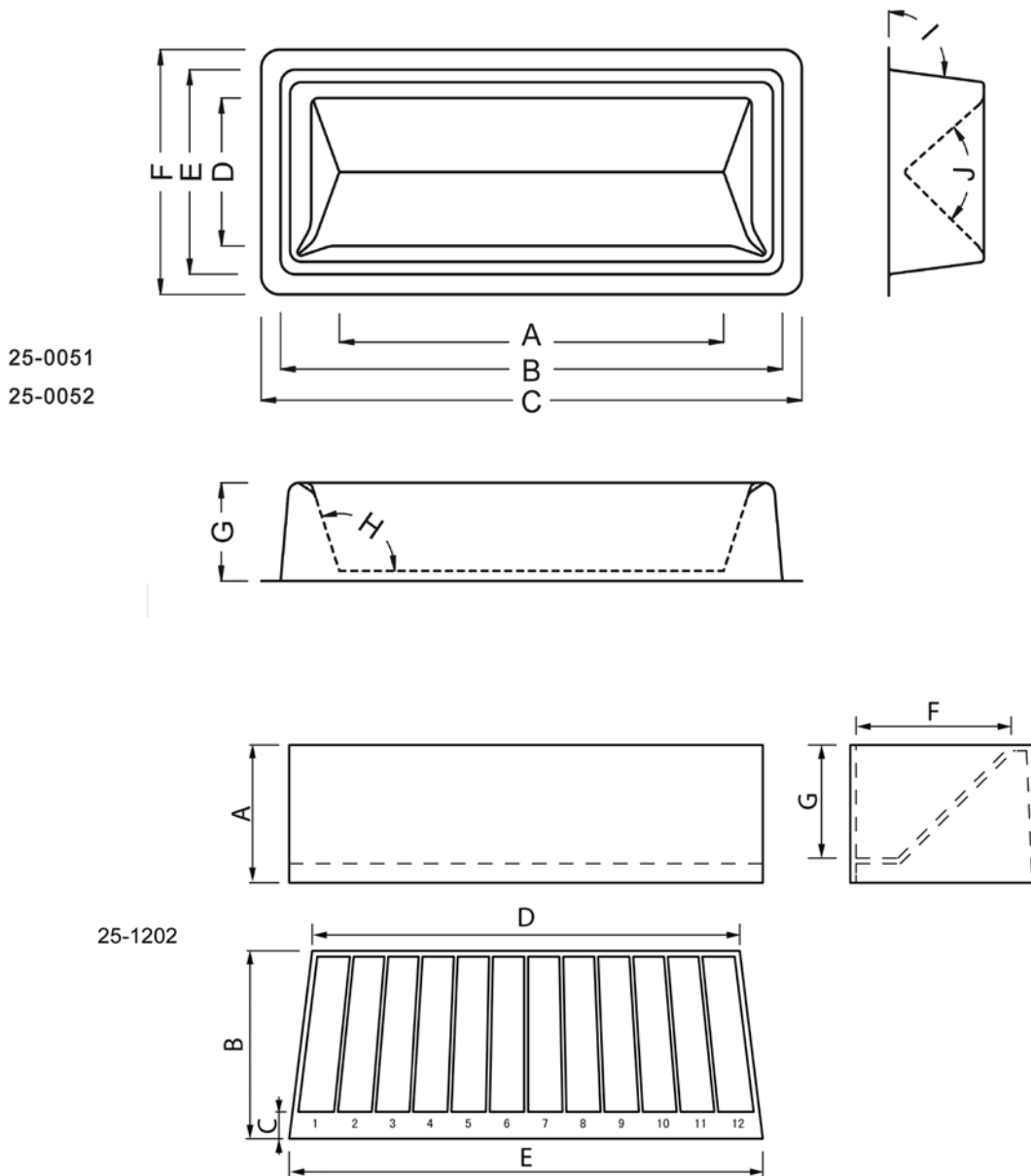
VIII. RESTRICTIONS

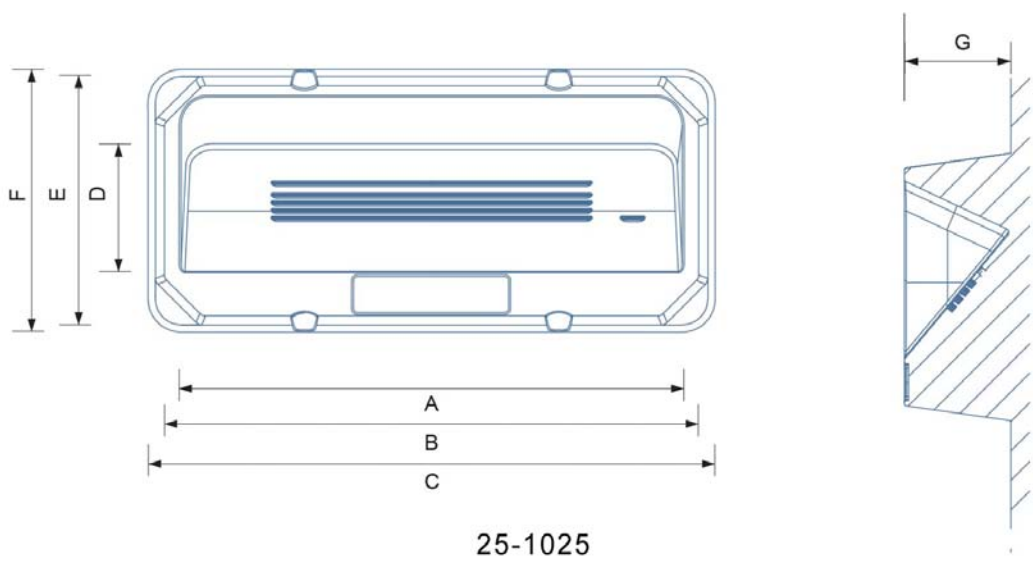
Refer to the Chemical Resistance Chart in our catalog, and available within our online catalog.

IX. PRODUCT PARAMETER

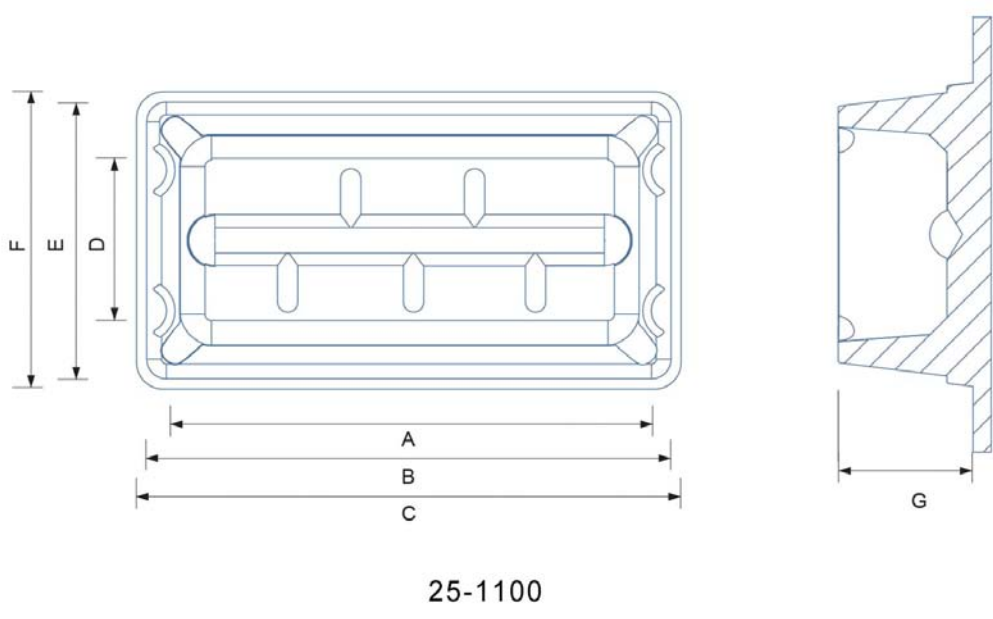
Dimensions = mm

Cat #	Description	A	B	C	D	E	F	G	H	I	J
25-0051	Solution Basin	105.9	138.3	149	39.4	54.5	65.2	26.2	108°	97°	84°
25-0052	Solution Basin	105.9	138.3	149	39.4	54.5	65.2	26.2	108°	97°	84°
25-1202	Solution Basin	36	49	7	111.7	124	40.5	29.5	-	-	-
25-1025	Solution Basin	123	130	138	31.2	61	64	26	-	-	-
25-1100	Solution Basin	123	133	138	41.2	70	75	34	-	-	-





25-1025



25-1100